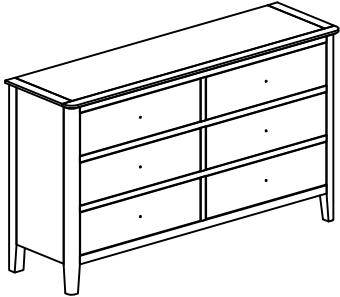
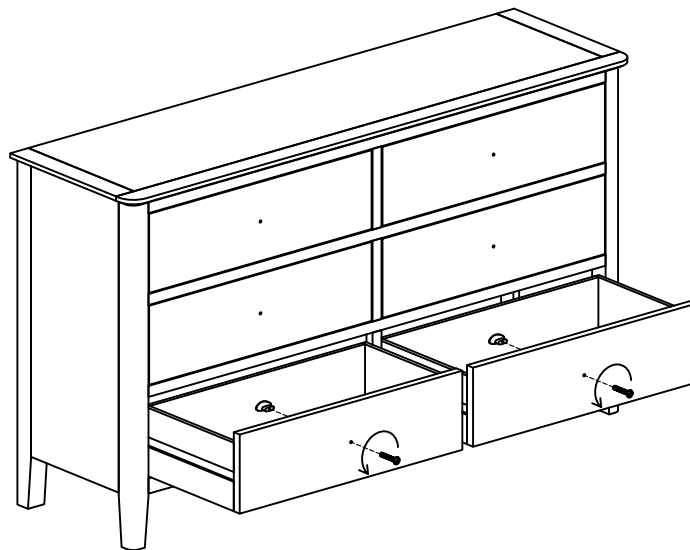


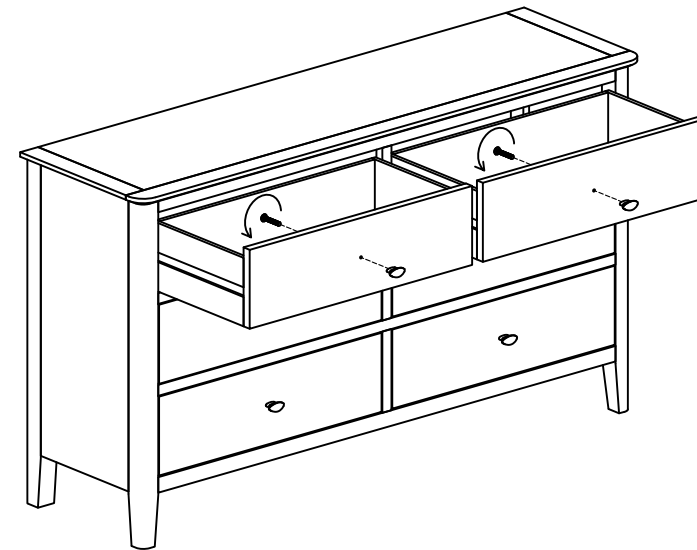
ASSEMBLY INSTRUCTION CHEST 6 DRAWERS





No	Name of Component	Q.ty
A		1

STEP 1



STEP 2



No	Name of Hardware	Q.ty
1	Bracket 	2
2	Tie 	1
3	Screw M4 x 20 	2
4	Screw M4 x 35 	2

STEP 3

