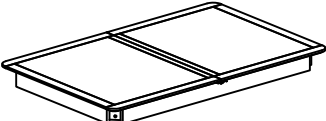
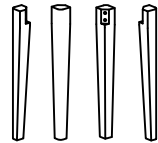




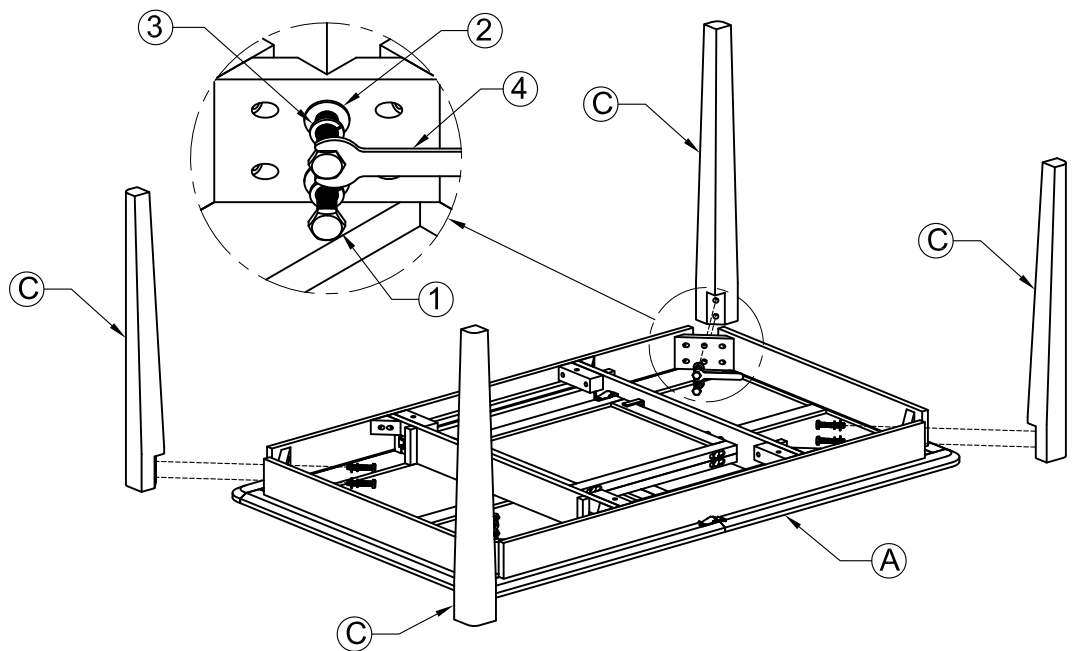


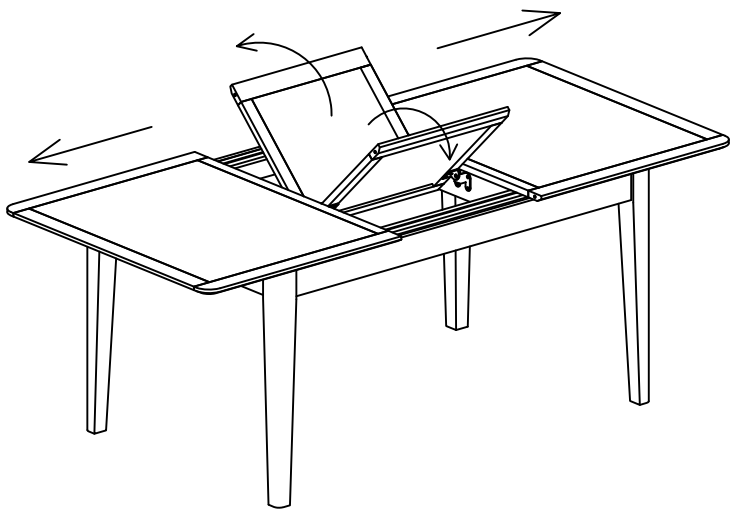
ASSEMBLY INSTRUCTION COMPACT EXT. DINING TABLE

No	Name of Component	Q.ty
(A)		1
(B)		4
No	Name of Hardware	Q.ty
(1)	Bolt M8 x 60 	8
(2)	Washer Ø9/Ø18 x T1.5 	8
(3)	Spring washer M8 	8
(4)	Spanner 	1

STEP 1



STEP 2



FINAL

