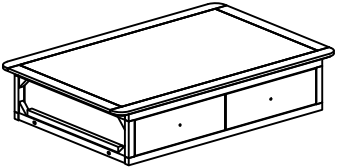
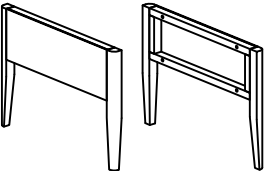

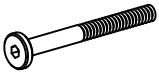

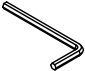
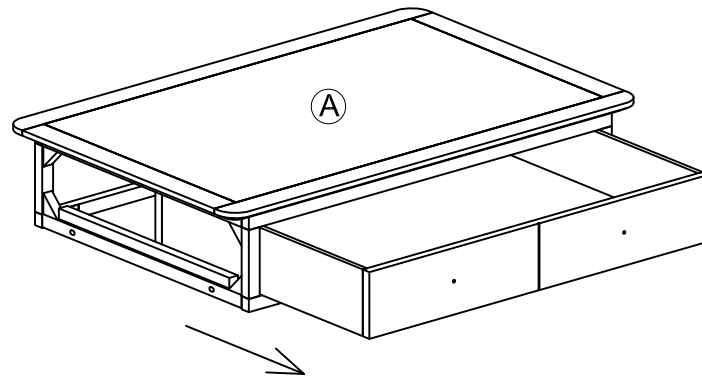
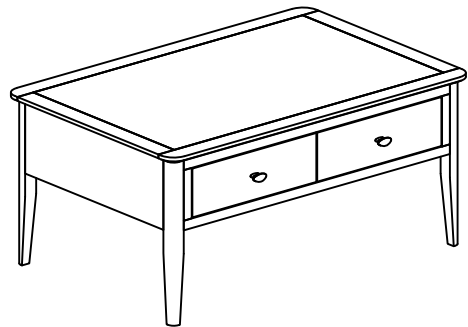
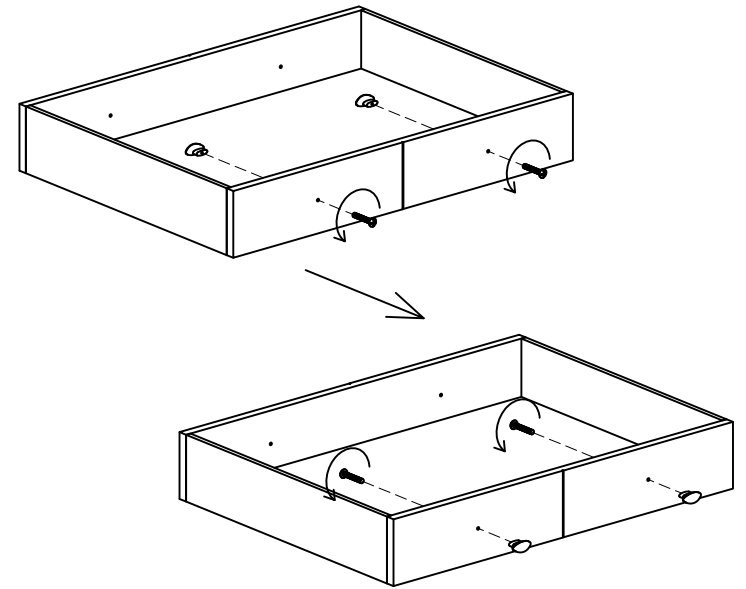


ASSEMBLY INSTRUCTION COFFEE TABLE

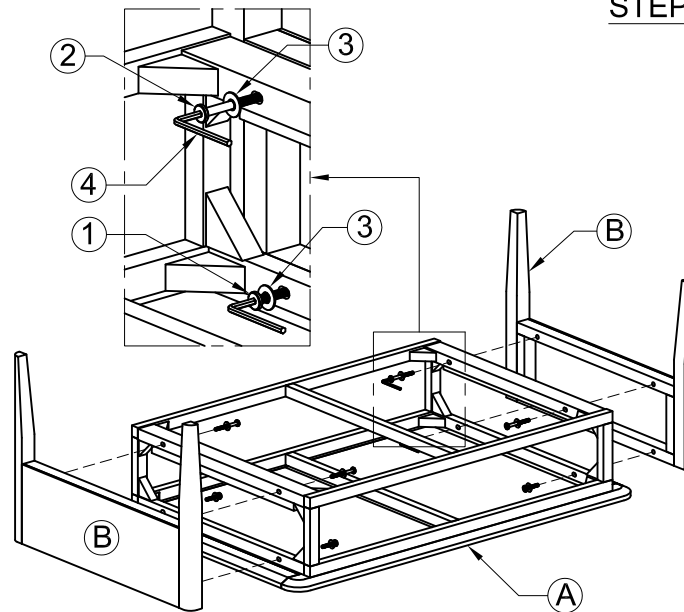
No	Name of Component	Q.ty
(A)		1
(B)		2
No	Name of Hardware	Q.ty
(1)	Bolt M6 x 35 	4
(2)	Bolt M6 x 60 	4
(3)	Washer Ø7/Ø15 x 1 	8
(4)	Allen key K4 	1



STEP 1



STEP 2



STEP 3

STEP 4

